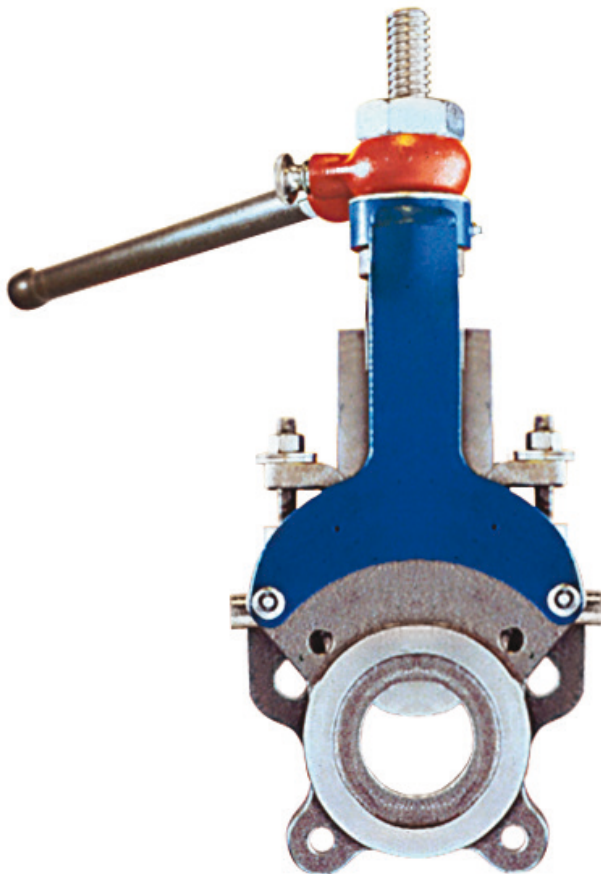


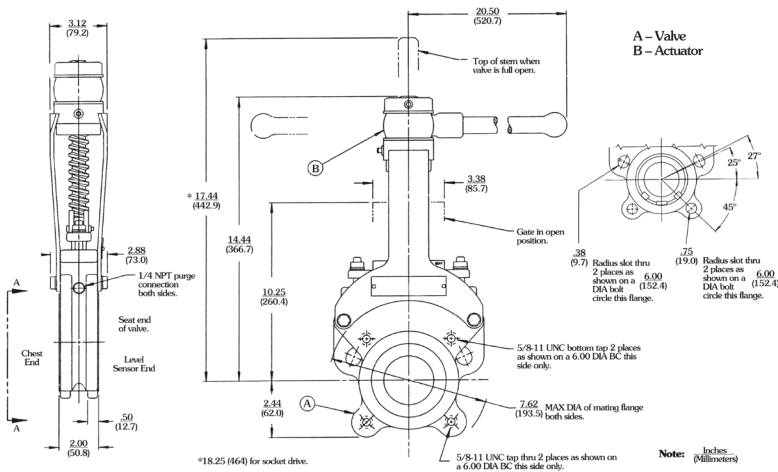
DeZURIK LEVEL SENSOR ISOLATION VALVE



- Valve design allows removal of sensor without draining stock chest.
- Special bolt pattern allows valve to be bolted to any stock chest configuration and to be direct mounted to tank.
- Ratchet or socket drive actuator allows close mounting of valve to tank.
- Two purge connections.
- Body and gate materials include 316 or 317 Stainless Steel. Hastelloy C and 254 SMO stainless.
- Resilient seat materials include PTFE composite, chloro-sulfonyl-polyethylene and fluoro-rubber.

Ordering

KLS	3,	L1L,	S2,	C,	CSM,	*	MN-RH-CS
Valve Style	Valve Size	End Style	Body Material	Packing Material	Seat Material		Actuator Code
Valve Style Give body style code as follows: KLS = Level Sensor Knife Gate Valve				Packing Material Give packing material code as follows: ZJ = Square braided PTFE impregnated synthetic fiber with one ring PTFE cord (do not use on clean services) to 500°F (260°C), pH 0-14			
Valve Size Give size code as follows: 3 = 3" (80mm)				Seat Material Give seat material code as follows: CSM = Chloro-sulfonyl-polyethelene to 200°F (94°C) T = PTFE composite to 450°F (233°C) FKM = Fluoro-rubber to 450°F (233°C)			
End Style Give end style code as follows: L1L = Lugged ANSI 150, Level Sensor							
Body and Gate Material Give material code as follows: S2 = 316 Stainless Steel S3 = 317 Stainless Steel HC = Hastelloy C S6 = 254 SMO Stainless Steel				Actuator Type MN = Manual Style RH = Ratchet Handle SD = Socket Drive Yoke Material CS = Carbon Steel S1 = 304 Stainless Steel			



Sales and Service

For information about our worldwide locations, approvals, certifications and local representative:

Web Site: DeZURIK.com E-Mail: info@DeZURIK.com



250 Riverside Ave. N. Sartell, Minnesota 56377 • Phone: 320-259-2000 • Fax: 320-259-2227

DeZURIK, Inc. reserves the right to incorporate our latest design and material changes without notice or obligation. Design features, materials of construction and dimensional data, as described in this bulletin, are provided for your information only and should not be relied upon unless confirmed in writing by DeZURIK, Inc. Certified drawings are available upon request.